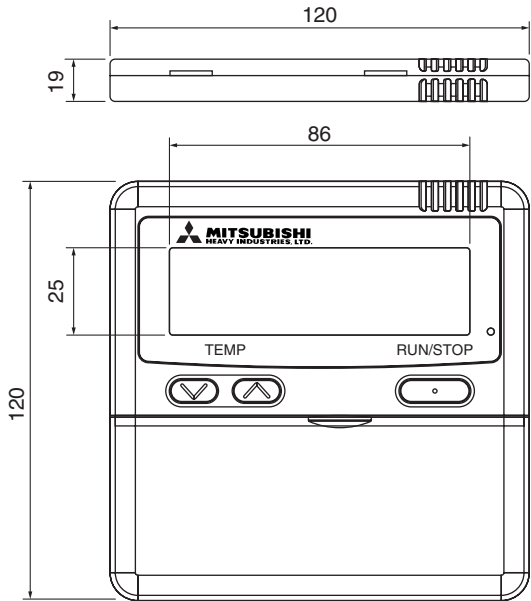


7. Installation of Remote Controller (Optional Parts)

7.1 Remote Controller (Optional Parts)



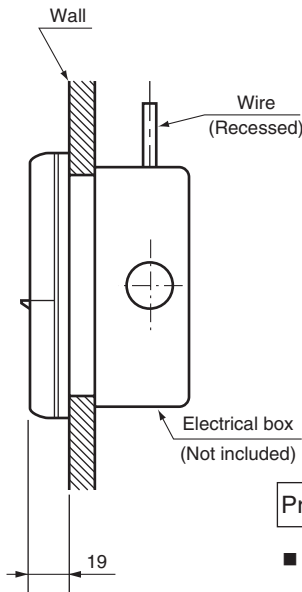
● Remote controller product number

Applicable model	MHI Product number
FD All models of series	RC-E1

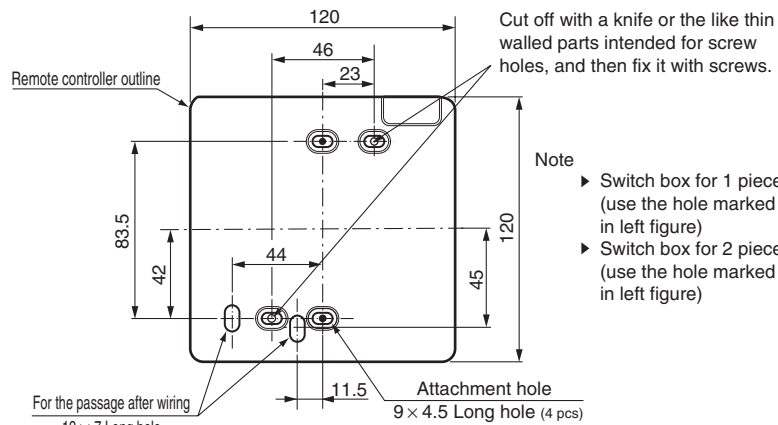
■ Remote control cable (optional)

Applicable model	MRE Product number	Length (m)	Remarks
FD All models of series	HP17845	10	Core number of cable : 3 (0.3mm ²)
	HP17851	30	
	HP17867	50	Shielded wire

Recessed fitting



Remote controller mounting dimensions

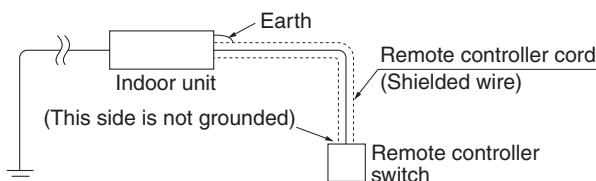


- Note
- ▶ Switch box for 1 piece (use the hole marked ● shown in left figure)
 - ▶ Switch box for 2 pieces (use the hole marked ○ shown in left figure)

Precision in Extending the Remote controller cord

- Maximum total extension 600m. The cord should be a shielded wire.
 - For all types : 0.3mm² × 3 cores
- Note (1) Use cables up to 0.5mm² (maximum) for those laid inside the remote controller unit casing and connect to a different size cable at a vicinity point outside the remote controller unit, if necessary.
- | | |
|----------------------|--------------------------------|
| Within 100-200m..... | 0.5 mm ² × 3 cores |
| Within 300m..... | 0.75 mm ² × 3 cores |
| Within 400m..... | 1.25 mm ² × 3 cores |
| Within 600m..... | 2.0 mm ² × 3 cores |

- The shielded wire should be grounded at one side only.



Application Data

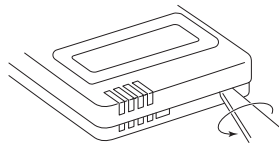
7.2 Installation of Remote Controller (Optional Parts)

1. Selection of installation location

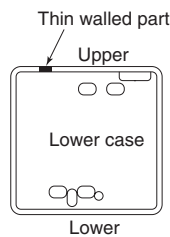
Avoid the following locations

 - a) Direct sunlight.
 - b) Close to heating device.
 - c) Highly humid or water splashing area.
 - d) Uneven surface.
2. Installation procedure
 - a) Exposed fitting
 - ① Open the remote controller case.

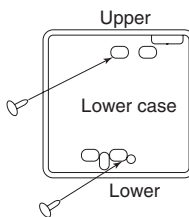
Put a screw driver (flat-head) into the concavity made on the upper part of a remote controller unit and twist it lightly to open the casing.



- ② The cord of a remote controller unit can only be pulled out in the upward direction. Cut off with nippers or a knife a thin walled part made on the upper end of the remote controller unit's bottom casing, and then remove burrs with a file or the like.



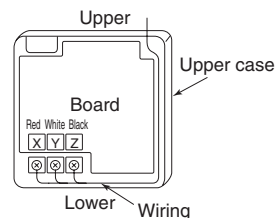
- ③ Fix the remote controller unit's bottom casing onto a wall with two wood screws supplied as accessories.



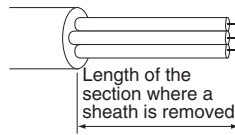
- ④ Connect the remote controller to the terminal block. Connect the terminals of the remote controller to the indoor unit with the same numbers. Because the terminal block has polarity, the device becomes inoperative if there are wrong connections.

Use a cord of 0.3mm² (recommended) - 0.5mm² (maximum) for a remote controller unit cord. Remove a sheathe of the remote control unit cord for the section laid within the remote controller unit casing.

Terminals : (X)Red wire, (Y)White wire, (Z)Black wire



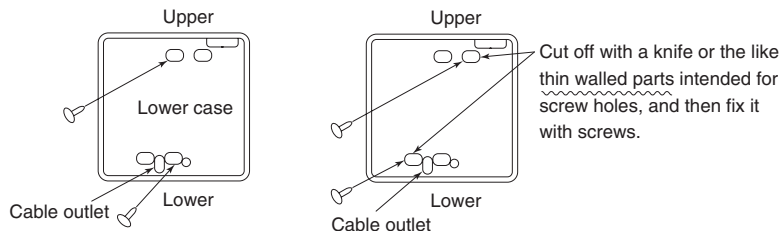
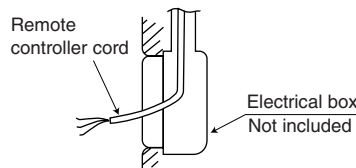
The length of each wire that should be left after a sheath is removed is as follows:
 Black: 195mm, White: 205mm, Red: 5125mm



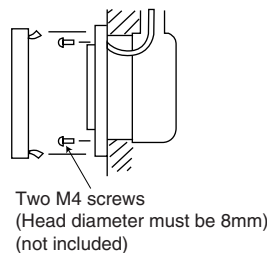
- ⑤ Replace the top casing as before.
- ⑥ Use a cord clamp to attach the remote controller cord to the wall.
- ⑦ Set the functions according to the types of indoor unit. See Section "Function Setting".

b) Recessed fitting

- ① The Electrical box and remote controller (shield wire must be use in case of extension) are first embedded.



- ② Remove the upper case to the remote controller.
- ③ Attach the lower case to the Electrical box with two M4 screws. (Head diameter must be 8 mm). Choose either of the following two positions in fixing it with screws.
- ④ Connect the remote cord to the remote controller. Refer to [Exposed Fitting].
- ⑤ Installation work is completed by replacing the top casing onto the bottom casing as before.

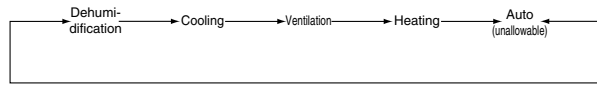


- ⑥ Set the fuction switch according to the type of the indoor unit. Refer to [Function setting].

Notes (1) When removing the remote controller for guarding against theft, be sure to mark so that wiring of XYZ is not mistaken.
 (2) Do not place the remote controller wire in a naked condition, or short circuit may damage the PCB.
 (3) Before turning on the power, confirm that the removed remote controller is securely connected.

7.3 Setting Functions Using the Remote Controller

1. Switching order of remote controller for operation mode



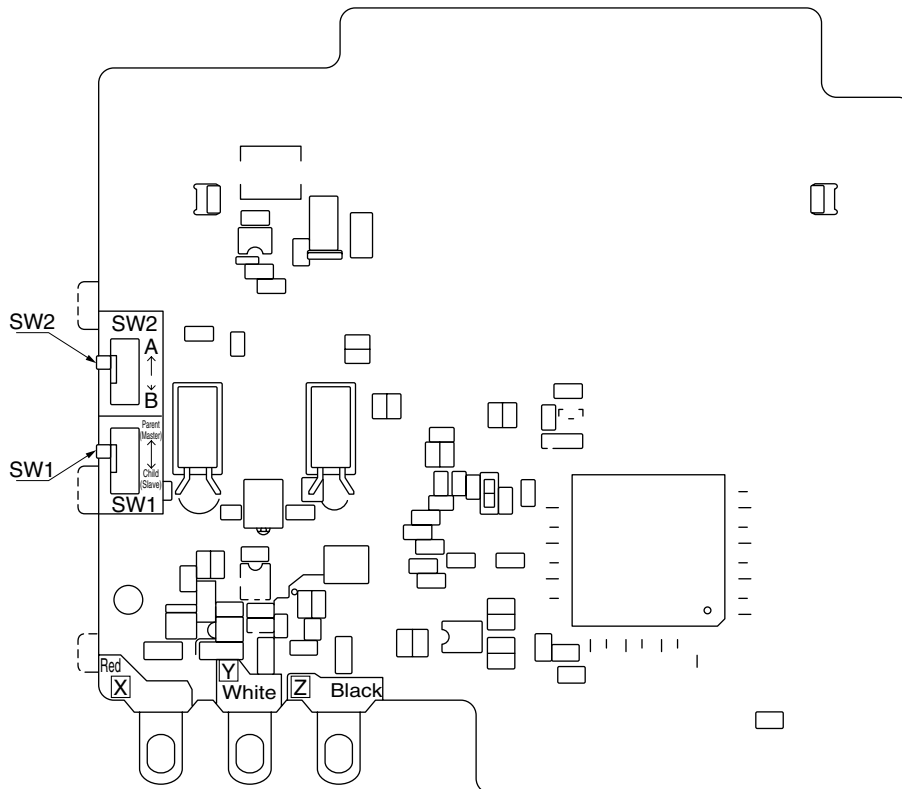
2. CPU reset

It functions when remote controller's check switch and up/down switch of the grill are pushed simultaneously. The operation is same as the one for power supply reset.

3. Functions compensating for power cut

- If " Functions compensating for power cut " is set to enable by the remote control function setting, it becomes effective.
- The state of remote control is always memorized, and it resumes operations according to the memory content after it returns from the power cut. However, the weekly timer setting is restored at Friday and holiday setting though the auto swing stop position and the timer mode are canceled.

Part arrangement of printed circuit board for remote controller



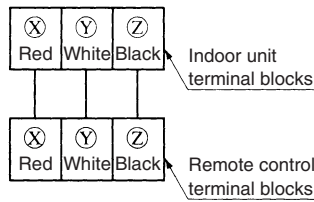
- Control change over switch (SW1)

Switch		Functions
SW1	Master	Master remote controller
	Slave	Slave remote controller

Note (1) SW2 is usually not used, and do not change please.

7.4 Cable for Remote Control Wiring

7.4.1 Control for a single unit



Note (1) The remote control wiring has the polarity. Please connect same terminal block No. together each other.

7.4.2 Multiple units control-simultaneous control of 16 unit with one remote controller

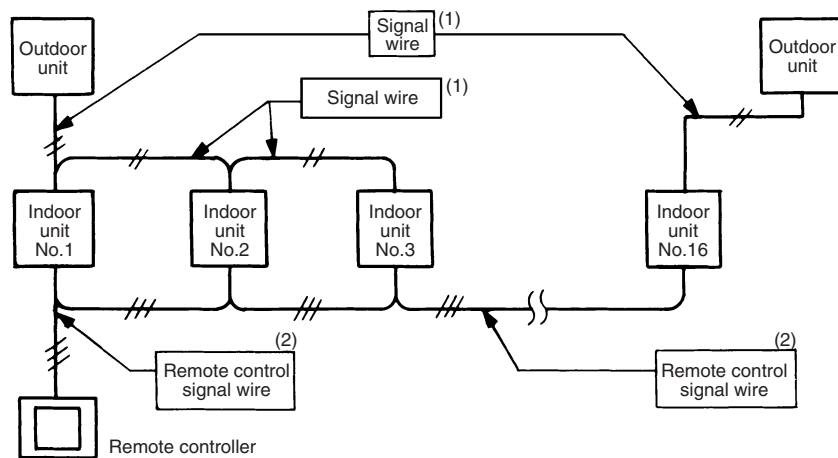
1. Function

Multiple units (even of outdoor different systems, 16 units maximum) can be simultaneously controlled by using a remote controller. The remote controller is used to set the "operation mode", and all the unit can be operated and stopped. Thermostat and protective functions of each unit functions independently.

Note : When part of the group gets out of order (the protective device operates), the relevant unit comes to an abnormal stop, but other normal units keep operating.

2. Wiring Procedures

- (i) Lay power cable of each unit and signal wire as usual. (Remove the remote control switches from all units excluding only one unit.) Lay wiring for the remote controller separately from power cable and wires for all other electrical equipment.
- (ii) Arrange the terminal block (X, Y, Z) of the remote controller as shown below for the simultaneous control, and lay cross over in each indoor unit.



- Notes
- (1) The overall length of the signal wire shall be less than 1000m.
 - (2) The length of remote control signal wire and crossover for remote controller between room shall be less than 600m.

MEMO